

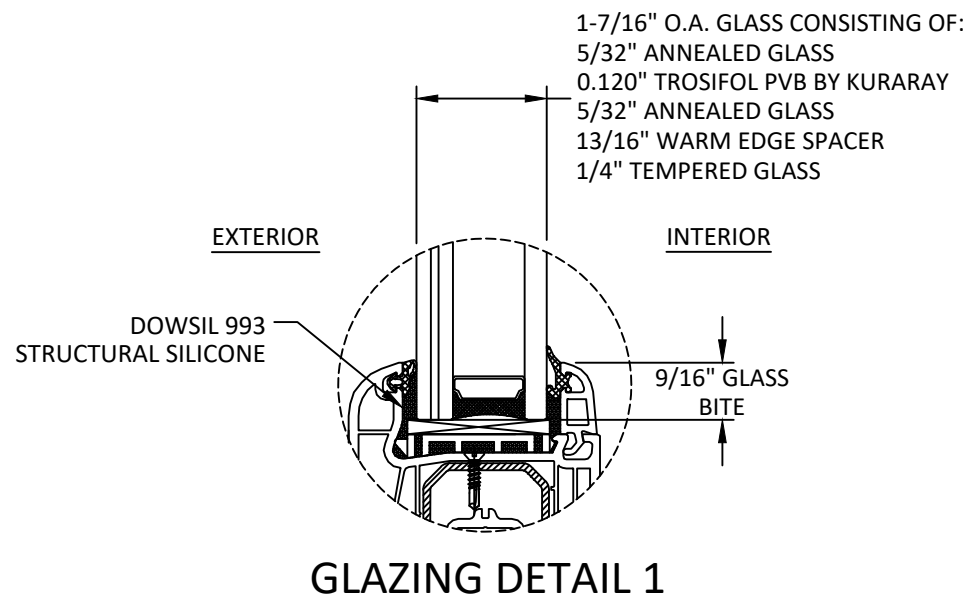
10/17/2023 2:01 PM  
z:\projects\drutex, s.a\cc-23-0959 - fbc submittal - 2023 code change\dwgs\141838 - balcony door\dr012 - fbc2023.dwg

# DRUTEX S.A.

## IGLO 5 CLASSIC BALCONY DOOR (HVHZ)(IMPACT)

**GENERAL NOTES:**

- THE PRODUCT SHOWN HEREIN IS DESIGNED AND MANUFACTURED TO COMPLY WITH THE CURRENT EDITION FLORIDA BUILDING CODE (FBC), INCLUDING HVHZ AND HAS BEEN EVALUATED ACCORDING TO THE FOLLOWING:
  - AAMA/WDMA/CSA 101/I.S.2/A440-17
  - TAS 201-94
  - TAS 202-94
  - TAS 203-94
  - ASTM E1886-13a
  - ASTM E1996-17
- ADEQUACY OF THE EXISTING STRUCTURAL CONCRETE/MASONRY, 2X FRAMING, AND METAL FRAMING AS A MAIN WIND FORCE RESISTING SYSTEM CAPABLE OF WITHSTANDING AND TRANSFERRING APPLIED PRODUCT LOADS TO THE FOUNDATION IS THE RESPONSIBILITY OF THE ENGINEER OR ARCHITECT OF RECORD FOR THE PROJECT OF INSTALLATION.
- 1X AND 2X BUCKS (WHEN USED) SHALL BE DESIGNED AND ANCHORED TO PROPERLY TRANSFER ALL LOADS TO THE STRUCTURE. BUCK DESIGN AND INSTALLATION IS THE RESPONSIBILITY OF THE ENGINEER OR ARCHITECT OF RECORD FOR THE PROJECT OF INSTALLATION.
- INSTALL INDIVIDUAL INSTALLATION ANCHORS WITHIN A TOLERANCE OF ±1/4 INCH OF THE DEPICTED LOCATION IN THE ANCHOR LAYOUT DETAIL (I.E., WITHOUT CONSIDERATION OF TOLERANCES). TOLERANCES ARE NOT CUMULATIVE FROM ONE INSTALLATION ANCHOR TO THE NEXT.
- THE INSTALLATION DETAIL DESCRIBED HEREIN ARE GENERIC AND MAY NOT REFLECT ACTUAL CONDITIONS FOR A SPECIFIC SITE. IF SITE CONDITIONS CAUSE INSTALLATION TO DEVIATE FROM THE REQUIREMENTS DETAILED HEREIN, A LICENSED ENGINEER OR ARCHITECT SHALL PREPARE SITE SPECIFIC DOCUMENTS FOR USE WITH THIS DOCUMENT.
- APPROVED IMPACT PROTECTIVE SYSTEM **IS NOT REQUIRED** ON THIS PRODUCT IN AREAS REQUIRING IMPACT RESISTANCE.
- WINDOW FRAME MATERIAL: PVC
- GLASS MEETS THE REQUIREMENTS OF ASTM E 1300 GLASS CHARTS. SEE SHEET 1 FOR GLAZING DETAIL.
- CUSTOM SIZES AVAILABLE UPON REQUEST. CUSTOM DESIGN PRESSURE WILL BE ASSIGNED EQUAL TO NEXT LARGER STANDARD SIZE.



**GLAZING NOTES:**

- GLASS TYPE COMPLIES WITH ASTM E1300 REQUIREMENTS. PER THE FBC TEMPER AND SAFETY GLAZING REQUIREMENTS SHALL BE REVIEWED ON A SITE SPECIFIC BASIS.
- SETTING BLOCK DUROMETER HARDNESS OF 70-90 (SHORE A) AS REFERENCED IN FBC CHAPTER 24.
- SETTING BLOCKS TO BE LOCATED AT 1/4 SPAN LENGTH FOR GLASS WIDER THAN 36" AS PER FBC CHAPTER 24.
- D.L.O. AND DESIGN PRESSURES MAY NOT EXCEED MAX VALUES SHOWN HEREIN.

TABLE OF CONTENTS	
SHEET	SHEET DESCRIPTION
1	GENERAL NOTES AND GLAZING DETAIL
2	ELEVATION AND DESIGN PRESSURE TABLE
3	ANCHOR LAYOUTS
4	VERTICAL SECTIONS
5	VERTICAL SECTIONS CONTINUED
6	HORIZONTAL SECTIONS
7	ANCHOR DETAIL AND INSTALLATION NOTES
8	ANCHOR DETAIL CONTINUED
9	BILL OF MATERIALS & COMPONENTS

DESIGN PRESSURE RATING (PSF)				
CONFIGURATION	WIDTH (IN.)	HEIGHT (IN.)	DESIGN PRESSURE	MISSILE IMPACT RATING
X	SEE TABLE ON SHEET 2			LARGE & SMALL MISSILE IMPACT



LEBORSKA 31, 77-100  
BYTOW, POLAND  
PH: +48-59-822-9101 FX: +48-59-822-9103

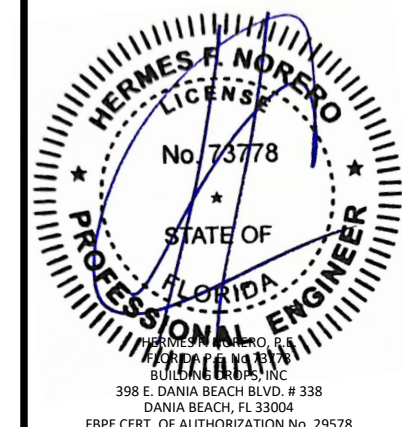
TITLE:  
IGLO 5 CLASSIC  
BALCONY DOOR  
(HVHZ) (IMPACT)  
GENERAL NOTES &  
GLAZING DETAIL

PREPARED BY:  
BUILDING DROPS, INC.  
1900 NE MIAMI COURT, STE. 2-15  
MIAMI, FL 33132  
PH: (954)399-8478  
FAX: (954)744-4738  
WEB: www.buildingdrops.com



REMARKS	BY	DATE
FBC CODE REVISION	FB	10/23

THE INSTALLATION DETAILS DESCRIBED HEREIN ARE GENERIC AND MAY NOT REFLECT ACTUAL CONDITIONS FOR A SPECIFIC SITE. IF SITE CONDITIONS CAUSE INSTALLATION TO DEVIATE FROM THE REQUIREMENTS DETAILED HEREIN, A LICENSED ENGINEER OR ARCHITECT SHALL PREPARE SITE SPECIFIC DOCUMENTS FOR USE WITH THIS DOCUMENT.



FL #: **FL41838**

DATE: **12.12.2022**

DWG. BY: **SH**      CHK. BY: **HFN**

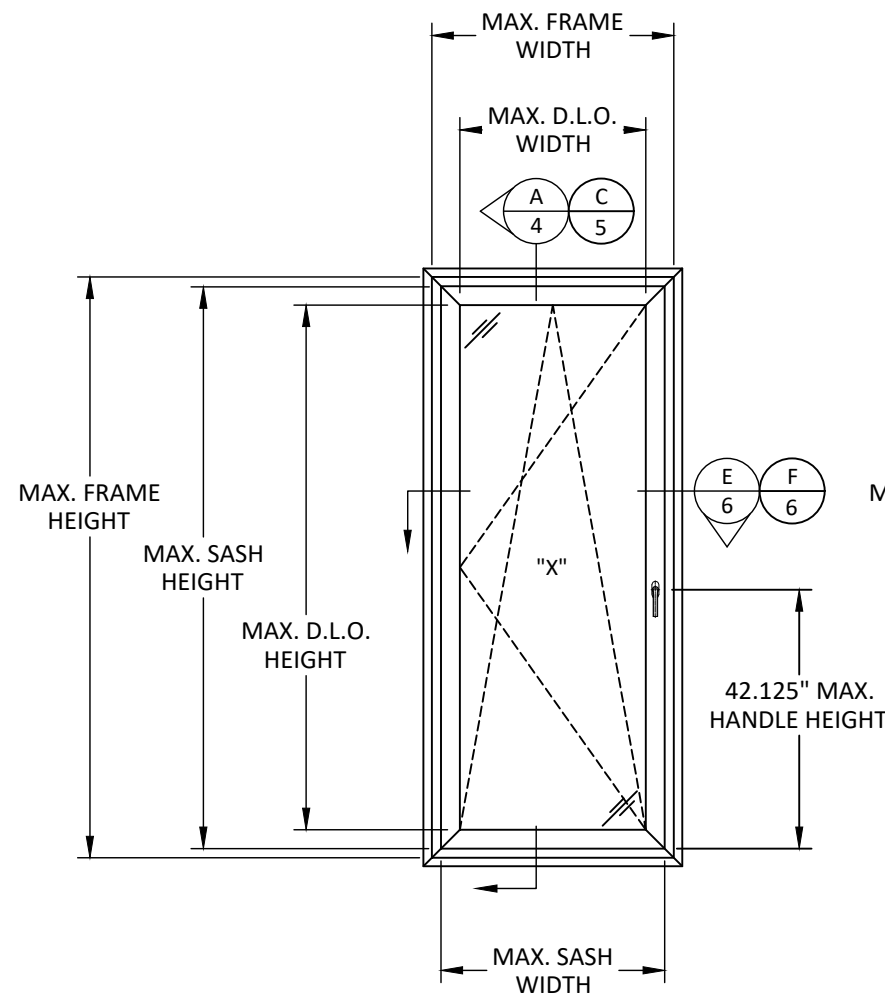
SCALE: **NTS**

DWG. #: **DRU012**

SHEET:  
**1**

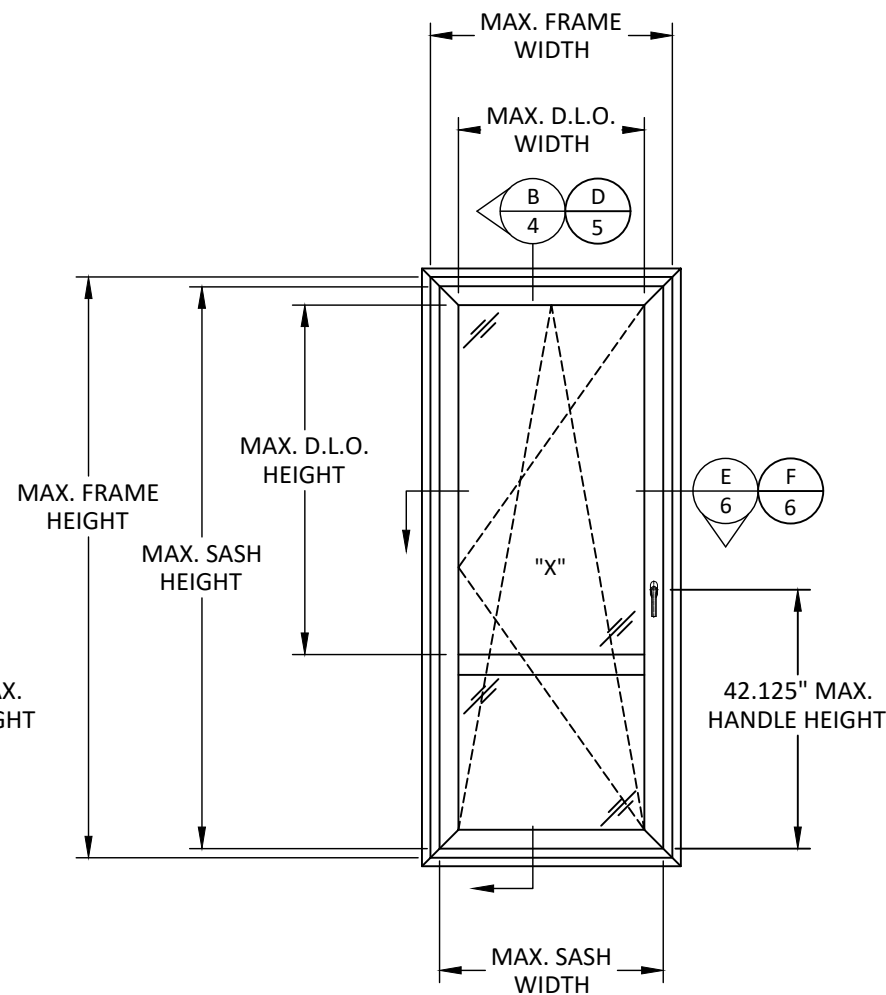
OF 9

10/17/2023 2:02 PM  
z:\projects\drutex, s.a\cc-23-0959 - fbc submittal - 2023 code change\dwgs\141838 - balcony door\dr012 - fbc2023.dwg



**ELEVATION**

SASH HEIGHT = FRAME HEIGHT - 3.0"  
 SASH WIDTH = FRAME WIDTH - 3.0"  
 D.L.O. HEIGHT = FRAME HEIGHT - 9.75"  
 D.L.O. WIDTH = FRAME WIDTH - 9.75"



**ELEVATION**

SASH HEIGHT = FRAME HEIGHT - 3.0"  
 SASH WIDTH = FRAME WIDTH - 3.0"  
 D.L.O. HEIGHT = FRAME HEIGHT - 9.75"  
 D.L.O. WIDTH = FRAME WIDTH - 9.75"

DESIGN PRESSURE TABLE (PSF)			
NOMINAL DIMS.		GLASS TYPE 1	
FRAME WIDTH (in.)	FRAME HEIGHT (in.)	EXT. (+) INT. (-)	
36.0	60.0	70.0	
42.0		70.0	
48.0		61.3	
54.0		54.4	
60.0		49.0	
66.0	66.0	44.5	
36.0		70.0	
42.0		70.0	
48.0		61.3	
54.0		54.4	
60.0	49.0		
36.0	72.0	70.0	
42.0		70.0	
48.0		61.3	
54.0		54.4	
60.0		49.0	
36.0	78.0	70.0	
42.0		70.0	
48.0		61.3	
36.0		84.0	70.0
42.0			70.0
48.0	61.3		
36.0	90.0		70.0
42.0			70.0
36.0		96.0	70.0
42.0			70.0
36.0			102.0
42.0	70.0		
36.0	108.0		
42.0		70.0	

NOTE: ALL PRESSURES MEET WATER INFILTRATION REQUIREMENTS.



LEBORSKA 31, 77-100  
 BYTOW, POLAND  
 PH: +48-59-822-9101 FX: +48-59-822-9103

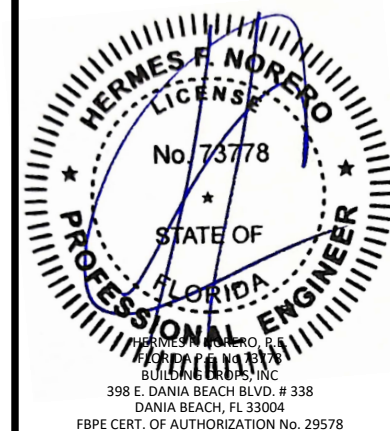
TITLE: IGLO 5 CLASSIC BALCONY DOOR (HVHZ) (IMPACT) ELEVATION & DESIGN PRESSURE TABLE

PREPARED BY: BUILDING DROPS, INC.  
 1900 NE MIAMI COURT, STE. 2-15  
 MIAMI, FL 33132  
 PH: (954)399-8478  
 FAX: (954)744-4738  
 WEB: www.buildingdrops.com



REMARKS	BY	DATE
FBC CODE REVISION	FB	10/23

THE INSTALLATION DETAILS DESCRIBED HEREIN ARE GENERIC AND MAY NOT REFLECT ACTUAL CONDITIONS FOR A SPECIFIC SITE. IF SITE CONDITIONS CAUSE INSTALLATION TO DEVIATE FROM THE REQUIREMENTS DETAILED HEREIN, A LICENSED ENGINEER OR ARCHITECT SHALL PREPARE SITE SPECIFIC DOCUMENTS FOR USE WITH THIS DOCUMENT.



FL #: **FL41838**

DATE: **12.12.2022**



DWG. BY: **SH**      CHK. BY: **HFN**

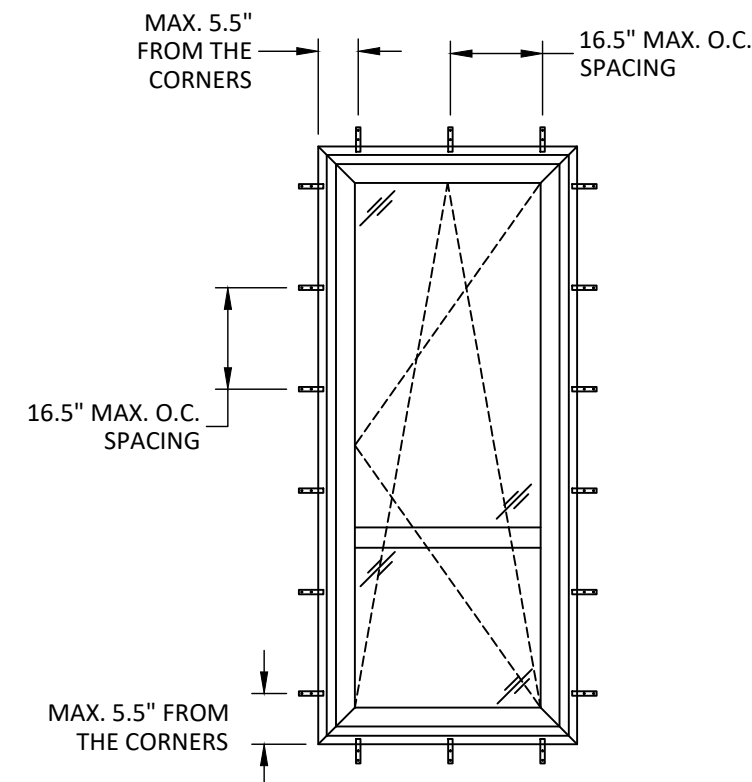
SCALE: **NTS**

DWG. #: **DRU012**

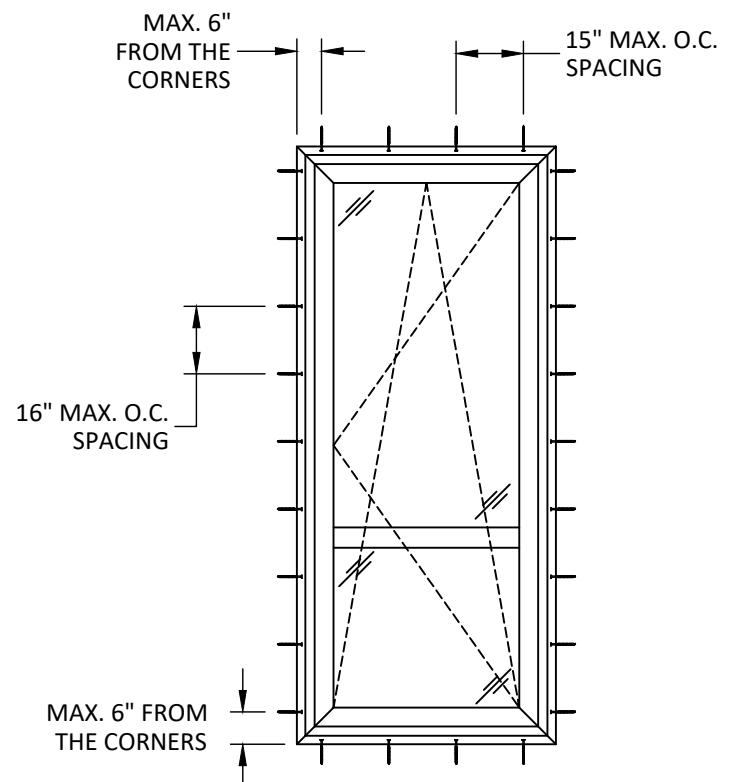
SHEET: **2**  
 OF 9

10/17/2023 2:02 PM  
z:\projects\drutex, s.a\cc-23-0959 - fbc submittal - 2023 code change\dwgs\141838 - balcony door\141838 - balcony door\141838.dwg

**INSTALLATION LEGEND:**  
 THROUGH FRAME/NAIL-FIN  
 STRAP

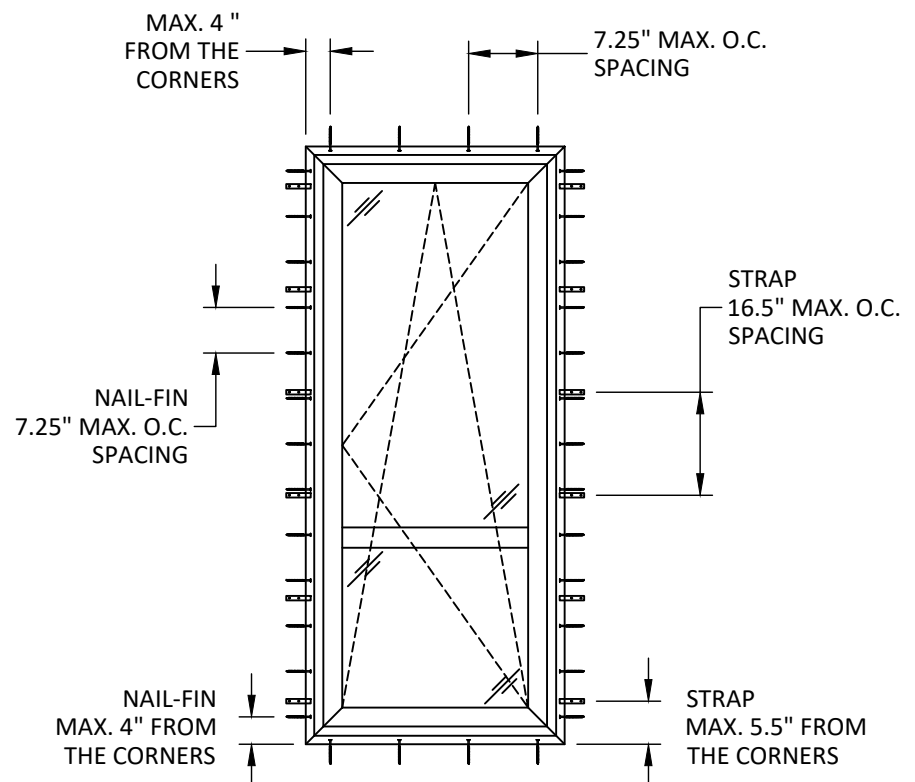


**ANCHOR LAYOUT**  
STRAP INSTALLATION



**ANCHOR LAYOUT**  
THROUGH FRAME INSTALLATION

NOTE: TWO (2) INSTALLATION ANCHORS PER STRAP LOCATION.



**ANCHOR LAYOUT**  
NAIL-FIN & STRAP INSTALLATION

NOTE: WHEN NAIL-FIN INSTALLATION IS USED, STRAPS MUST BE USED AT THE JAMBS.



LEBORSKA 31, 77-100  
BYTOW, POLAND  
PH: +48-59-822-9101 FX: +48-59-822-9103

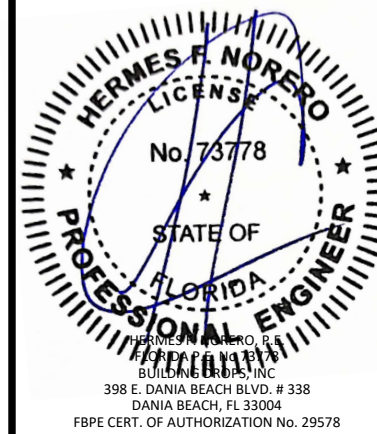
TITLE: IGLLO 5 CLASSIC BALCONY DOOR (HVHZ) (IMPACT) ANCHOR LAYOUTS

PREPARED BY: BUILDING DROPS, INC.  
1900 NE MIAMI COURT, STE. 2-15  
MIAMI, FL 33132  
PH: (954)399-8478  
FAX: (954)744-4738  
WEB: www.buildingdrops.com



REMARKS	BY	DATE
FBC CODE REVISION	FB	10/23

THE INSTALLATION DETAILS DESCRIBED HEREIN ARE GENERIC AND MAY NOT REFLECT ACTUAL CONDITIONS FOR A SPECIFIC SITE. IF SITE CONDITIONS CAUSE INSTALLATION TO DEVIATE FROM THE REQUIREMENTS DETAILED HEREIN, A LICENSED ENGINEER OR ARCHITECT SHALL PREPARE SITE SPECIFIC DOCUMENTS FOR USE WITH THIS DOCUMENT.



FL #: **FL41838**

DATE: **12.12.2022**

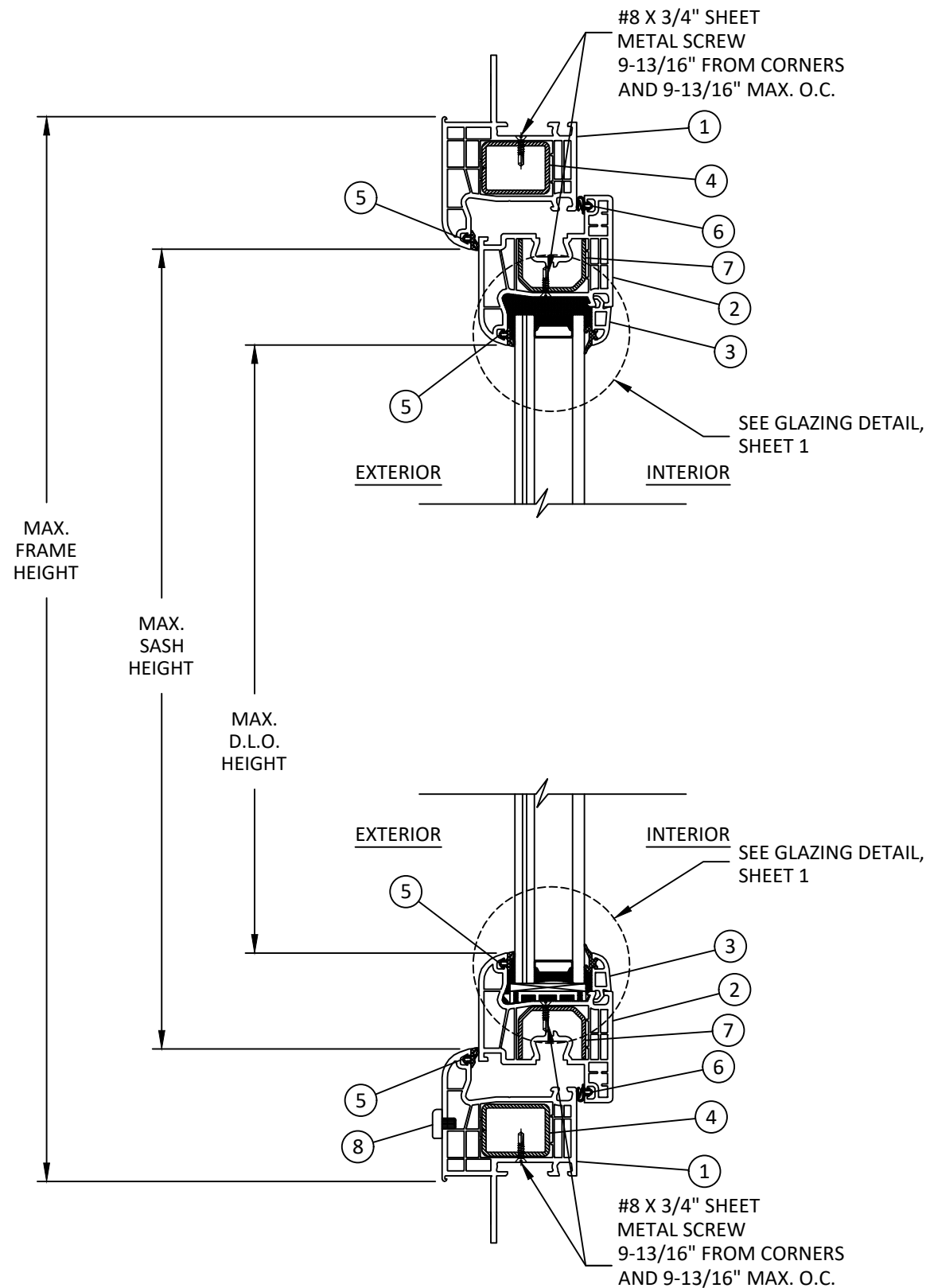
DWG. BY: **SH**      CHK. BY: **HFN**

SCALE: **NTS**

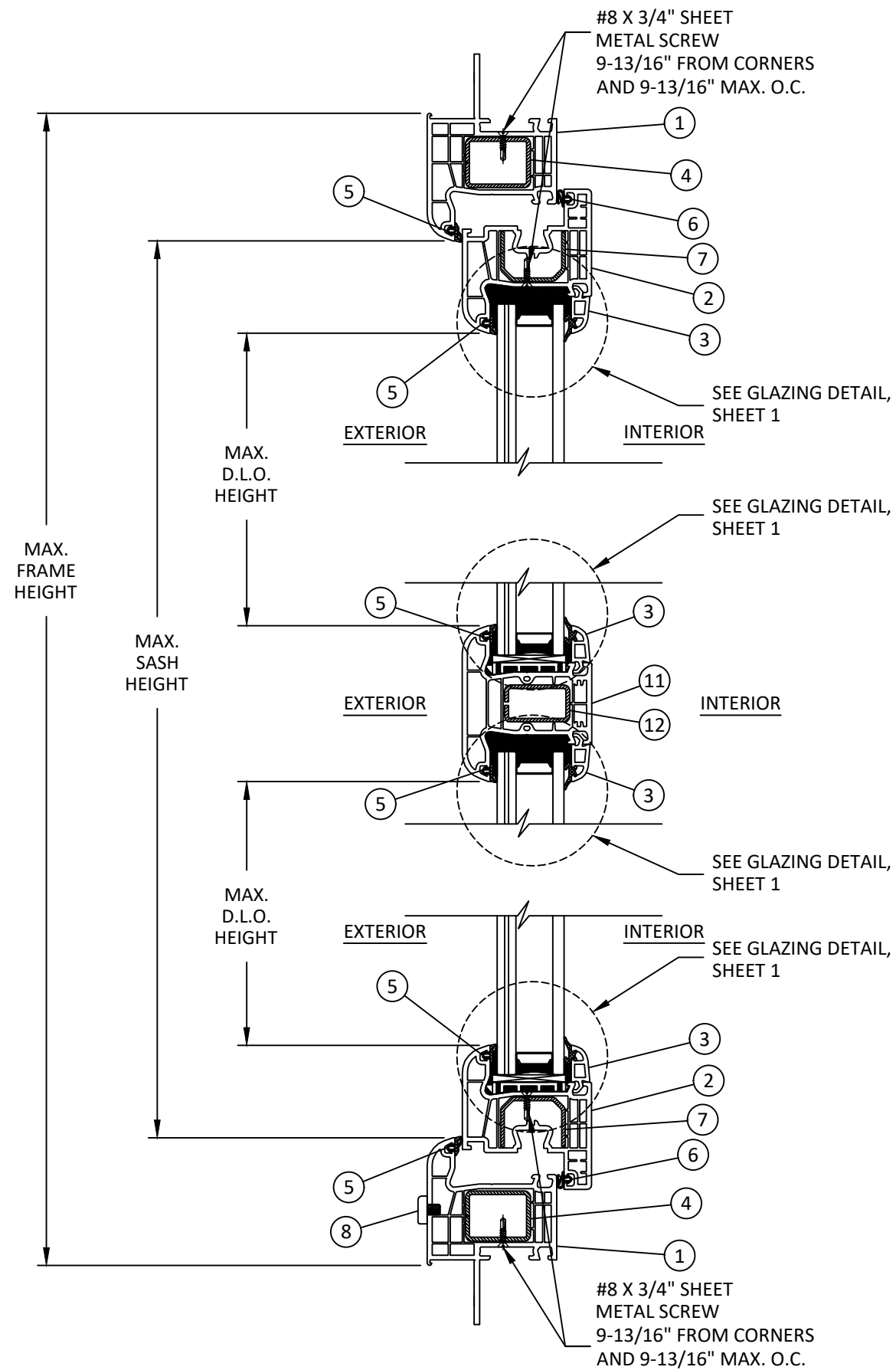
DWG. #: **DRU012**

SHEET: **3**  
OF 9

10/17/2023 2:02 PM  
z:\projects\drutex, s.a\cc-23-0959 - fbc submittal - 2023 code change\dwgs\141838 - balcony door\dr012 - fbc2023.dwg



**A**  
**4** VERTICAL SECTION  
FIN SECTION DETAIL



**B**  
**4** VERTICAL SECTION  
FIN SECTION DETAIL



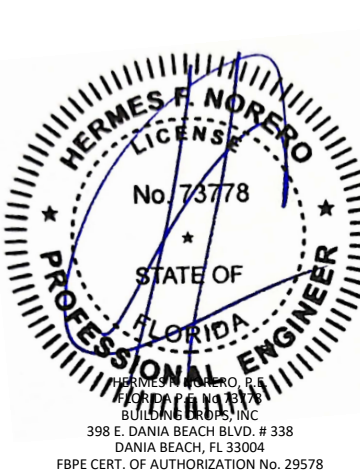
LEBORSKA 31, 77-100  
BYTOW, POLAND  
PH: +48-59-822-9101 FX: +48-59-822-9103

TITLE: IGL0 5 CLASSIC BALCONY DOOR (HVHZ) (IMPACT) VERTICAL SECTIONS

PREPARED BY: BUILDING DROPS, INC.  
1900 NE MIAMI COURT, STE. 2-15  
MIAMI, FL 33132  
PH: (954)399-8478  
FAX: (954)744-4738  
WEB: www.buildingdrops.com

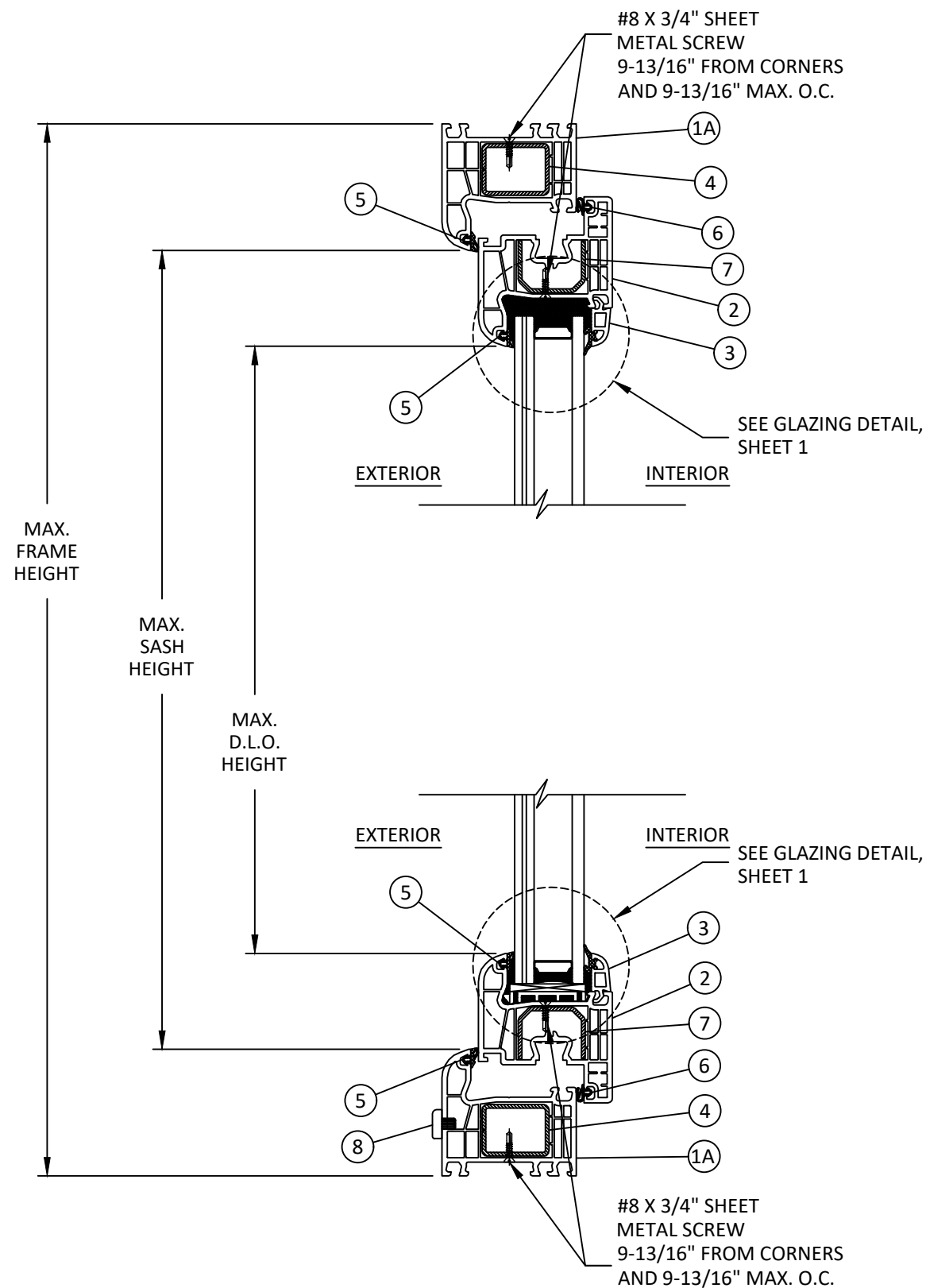
REMARKS	BY	DATE
FBC CODE REVISION	FB	10/23

THE INSTALLATION DETAILS DESCRIBED HEREIN ARE GENERIC AND MAY NOT REFLECT ACTUAL CONDITIONS FOR A SPECIFIC SITE. IF SITE CONDITIONS CAUSE INSTALLATION TO DEVIATE FROM THE REQUIREMENTS DETAILED HEREIN, A LICENSED ENGINEER OR ARCHITECT SHALL PREPARE SITE SPECIFIC DOCUMENTS FOR USE WITH THIS DOCUMENT.

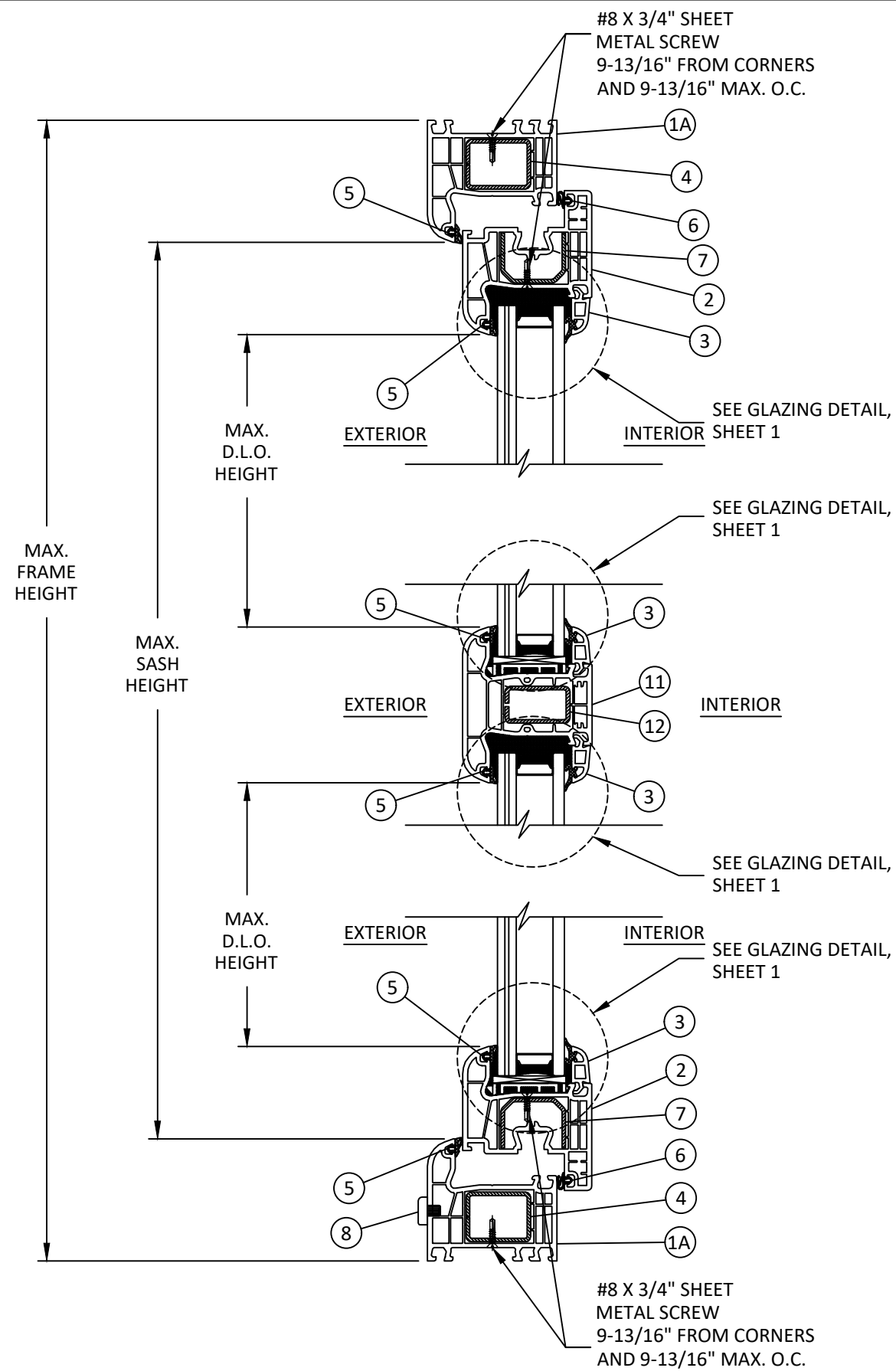


FL #:	<b>FL41838</b>
DATE:	<b>12.12.2022</b>
DWG. BY:	<b>SH</b>
CHK. BY:	<b>HFN</b>
SCALE:	<b>NTS</b>
DWG. #:	<b>DRU012</b>
SHEET:	<b>4</b>
	<b>OF 9</b>

10/17/2023 2:02 PM  
z:\projects\drutex, s.a\ccc-23-0959 - fbc submittal - 2023 code change\dwgs\141838 - balcony door\dr012 - fbc2023.dwg



**C**  
**5** VERTICAL SECTION  
FINLESS SECTION DETAIL



**D**  
**5** VERTICAL SECTION  
FINLESS SECTION DETAIL



LEBORSKA 31, 77-100  
BYTOW, POLAND  
PH: +48-59-822-9101 FX: +48-59-822-9103

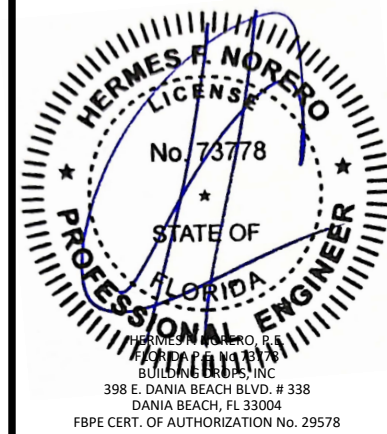
TITLE: IGL0 5 CLASSIC  
BALCONY DOOR  
(HVHZ) (IMPACT)  
VERTICAL SECTIONS  
CONTINUED

PREPARED BY:  
**BUILDING DROPS, INC.**  
1900 NE MIAMI COURT, STE. 2-15  
MIAMI, FL 33132  
PH: (954)399-8478  
FAX: (954)744-4738  
WEB: www.buildingdrops.com



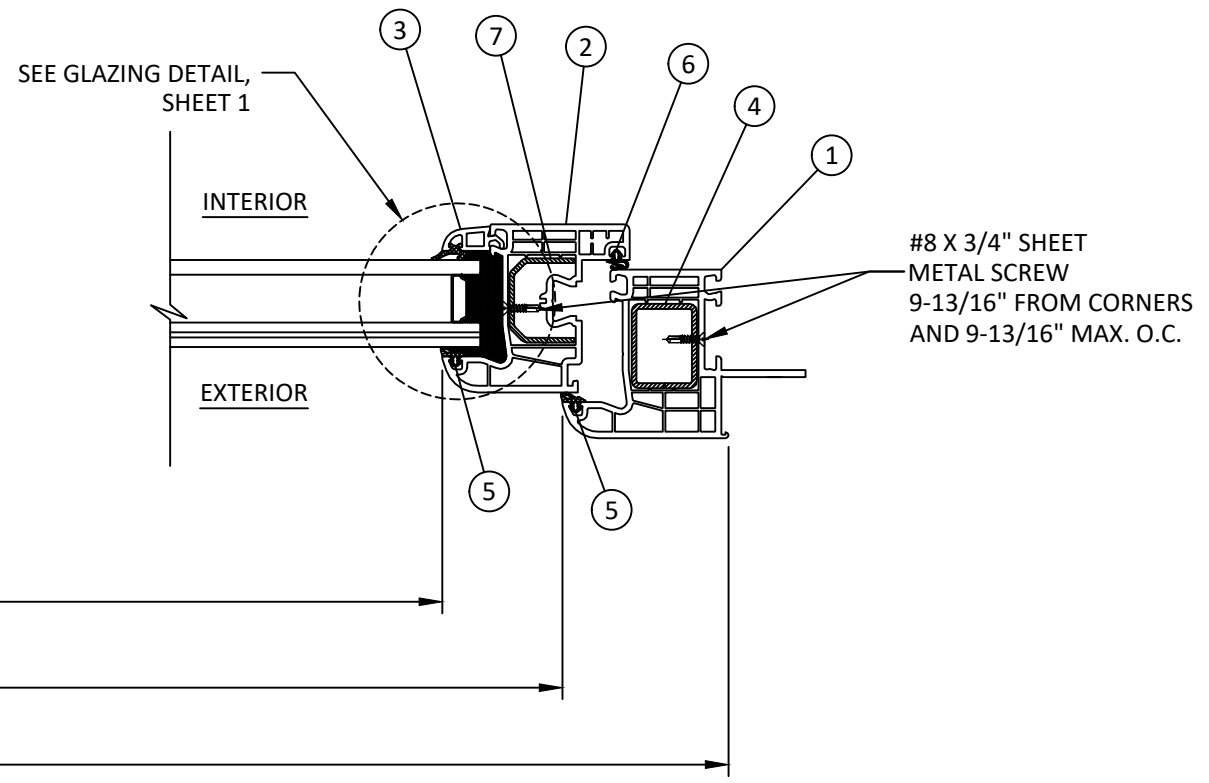
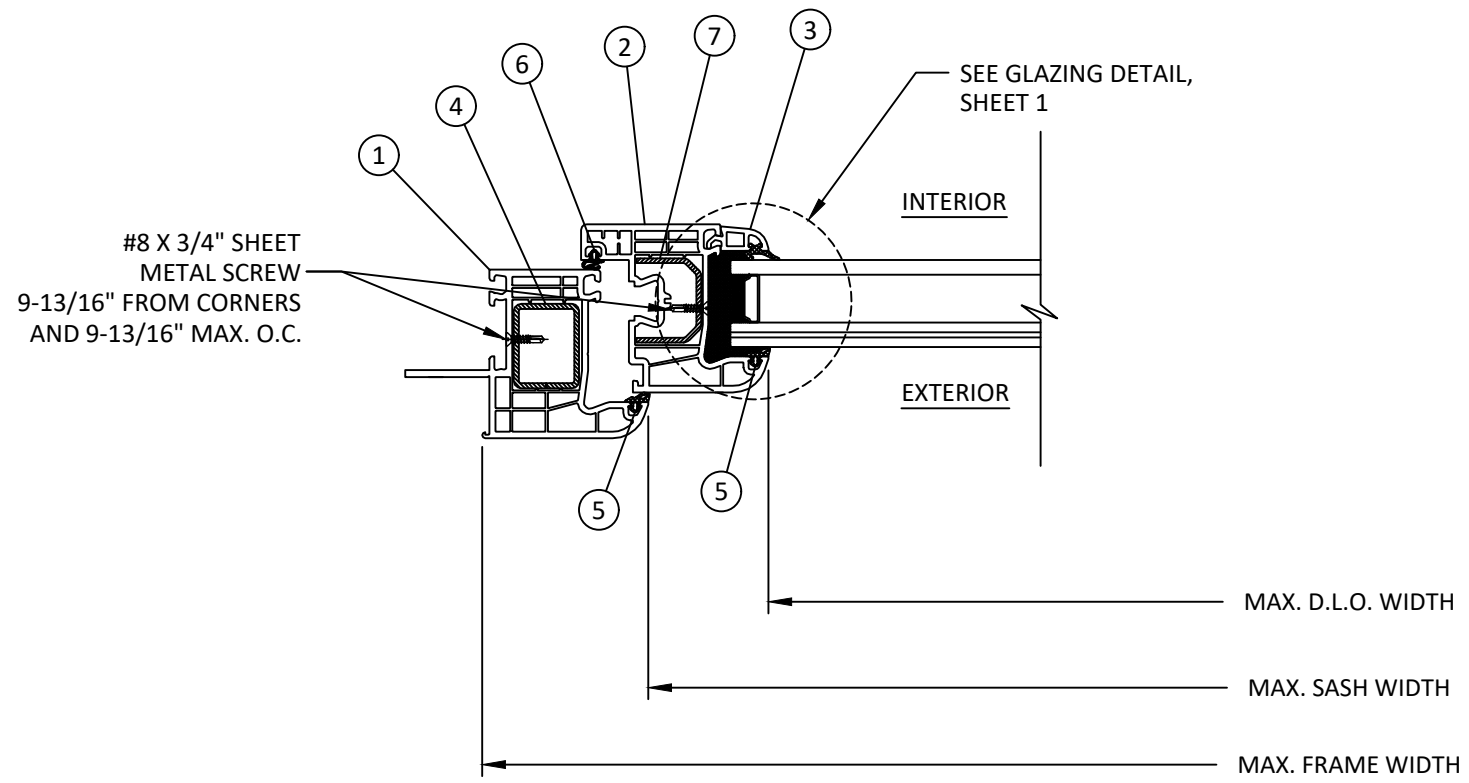
REMARKS	BY	DATE
FBC CODE REVISION	FB	10/23

THE INSTALLATION DETAILS DESCRIBED HEREIN ARE GENERIC AND MAY NOT REFLECT ACTUAL CONDITIONS FOR A SPECIFIC SITE. IF SITE CONDITIONS CAUSE INSTALLATION TO DEVIATE FROM THE REQUIREMENTS DETAILED HEREIN, A LICENSED ENGINEER OR ARCHITECT SHALL PREPARE SITE SPECIFIC DOCUMENTS FOR USE WITH THIS DOCUMENT.

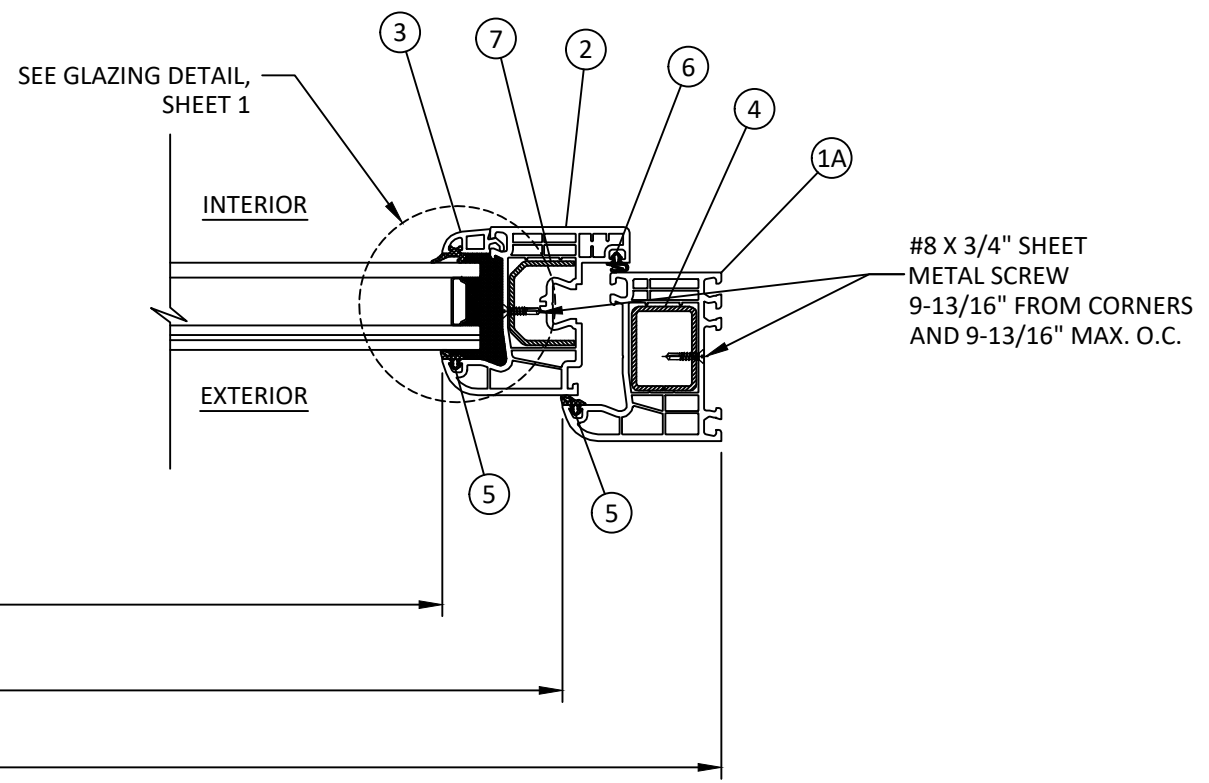
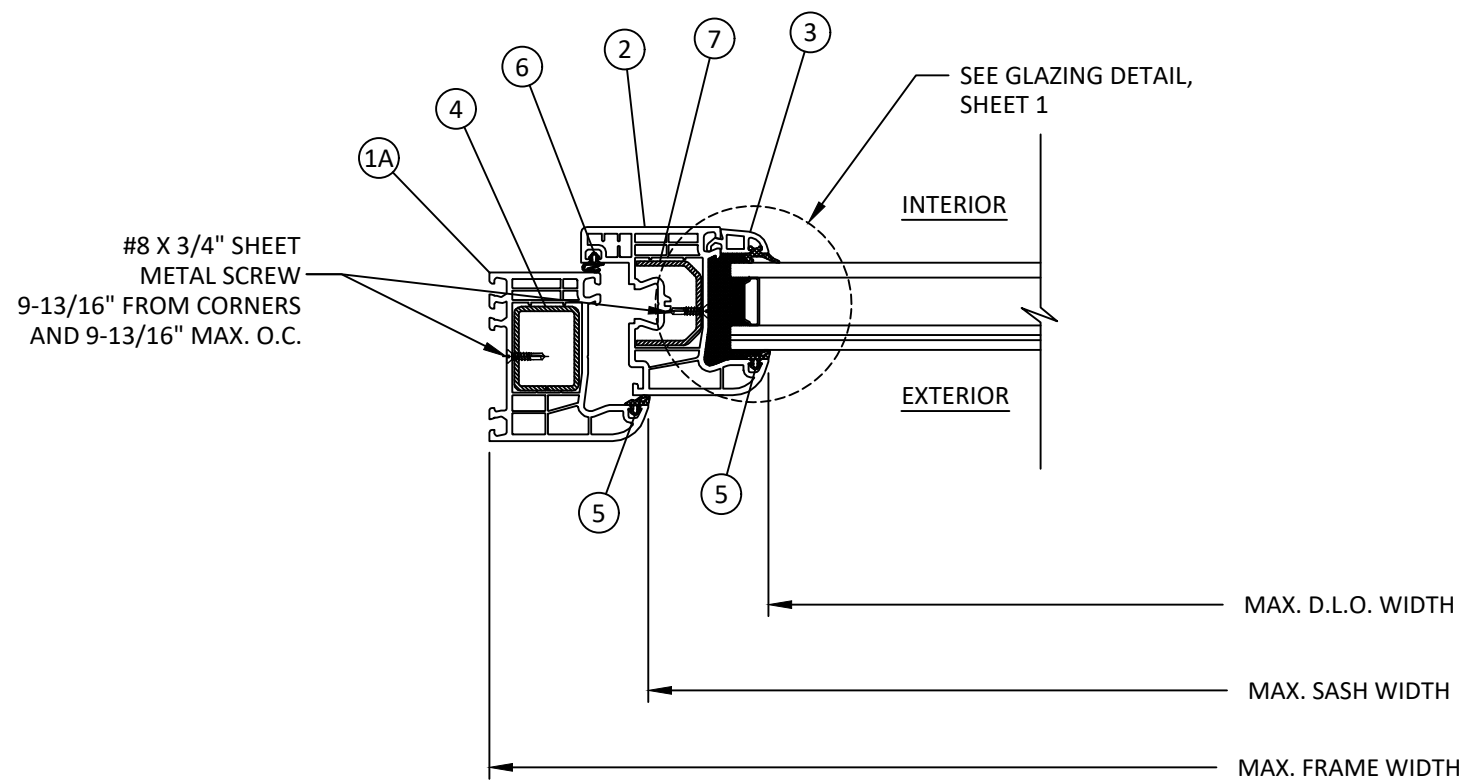


FL #:	<b>FL41838</b>
DATE:	<b>12.12.2022</b>
DWG. BY:	<b>SH</b>
CHK. BY:	<b>HFN</b>
SCALE:	<b>NTS</b>
DWG. #:	<b>DRU012</b>
SHEET:	<b>5</b>
	<b>OF 9</b>

10/17/2023 2:02 PM



**E**  
**6** HORIZONTAL SECTION  
FIN SECTION DETAIL



**F**  
**6** HORIZONTAL SECTION  
FINLESS SECTION DETAIL



LEBORSKA 31, 77-100  
BYTOW, POLAND  
PH: +48-59-822-9101 FX: +48-59-822-9103

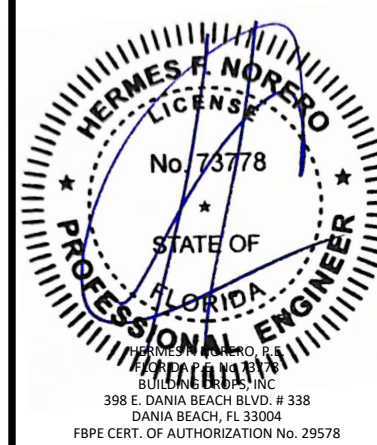
TITLE: IGL0 5 CLASSIC  
BALCONY DOOR  
(HVHZ) (IMPACT)  
HORIZONTAL SECTIONS

PREPARED BY:  
**BUILDING DROPS, INC.**  
1900 NE MIAMI COURT, STE. 2-15  
MIAMI, FL 33132  
PH: (954) 399-8478  
FAX: (954) 744-4738  
WEB: www.buildingdrops.com



REMARKS	BY	DATE
FBC CODE REVISION	FB	10/23

THE INSTALLATION DETAILS DESCRIBED HEREIN ARE GENERIC AND MAY NOT REFLECT ACTUAL CONDITIONS FOR A SPECIFIC SITE. IF SITE CONDITIONS CAUSE INSTALLATION TO DEVIATE FROM THE REQUIREMENTS DETAILED HEREIN, A LICENSED ENGINEER OR ARCHITECT SHALL PREPARE SITE SPECIFIC DOCUMENTS FOR USE WITH THIS DOCUMENT.



FL #: **FL41838**

DATE: **12.12.2022**

DWG. BY: **SH**      CHK. BY: **HFN**

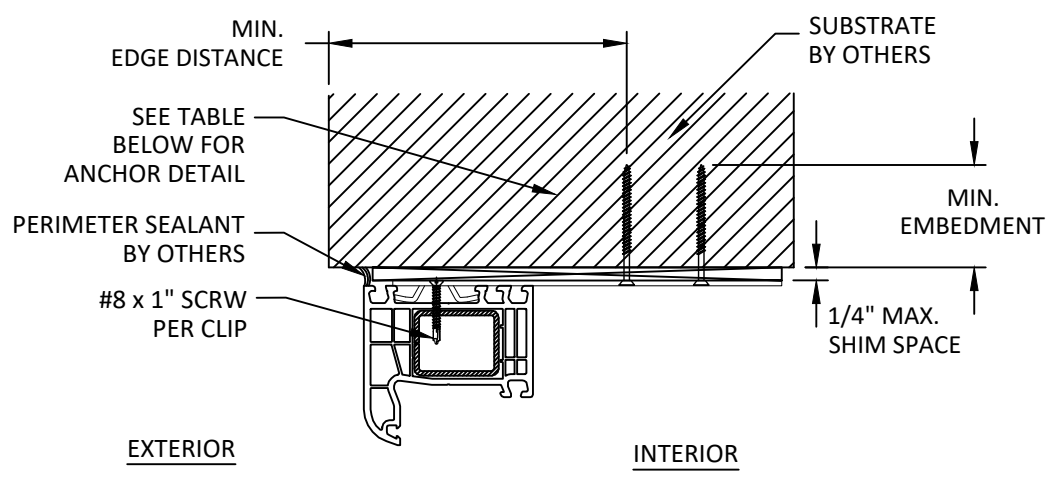
SCALE: **NTS**

DWG. #: **DRU012**

SHEET: **6**  
OF 9

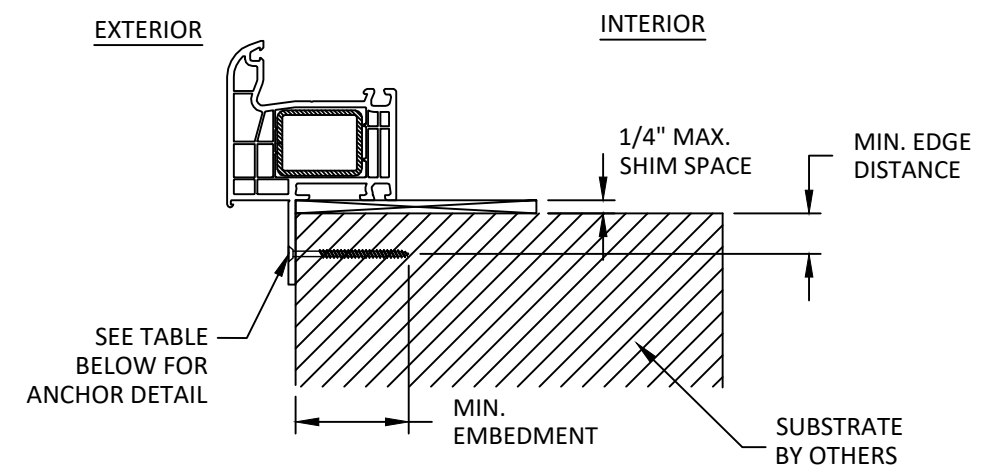
z:\projects\drutex\_s.a\cc-23-0959 - fbc submittal - 2023 code change\dwgs\141838 - balcony door\dr012 - fbc2023.dwg

10/17/2023 2:02 PM  
z:\projects\drutex, s.a\cc-23-0959 - fbc submittal - 2023 code change\dwgs\141838 - balcony door\drut012 - fbc2023.dwg



**A**  
**7** VERTICAL SECTION  
HEAD - STRAP

NOTE: SILL & JAMB SIMILAR



**B**  
**7** VERTICAL SECTION  
SILL - NAIL-FIN

NOTE: HEAD & JAMB SIMILAR

**INSTALLATION NOTES:**

- ONE (1) INSTALLATION ANCHOR IS REQUIRED AT EACH ANCHOR LOCATION SHOWN, UNLESS OTHERWISE STATED ON SHEET 3.
- INSTALL INDIVIDUAL INSTALLATION ANCHORS WITHIN A TOLERANCE OF ±1.000 INCH THE DEPICTED LOCATION & SPACING IN THE ANCHOR LAYOUT DETAIL (I.E., WITHOUT CONSIDERATION OF TOLERANCES). TOLERANCES ARE NOT CUMULATIVE FROM ONE INSTALLATION ANCHOR TO THE NEXT.
- SHIM AS REQUIRED AT EACH INSTALLATION ANCHOR WITH LOAD BEARING SHIM(S). MAXIMUM ALLOWABLE SHIM STACK TO BE 1/4 INCH. SHIM WHERE SPACE OF 1/16 INCH OR GREATER OCCURS. SHIM(S) SHALL BE CONSTRUCTED OF HIGH DENSITY PLASTIC OR BETTER.
- MINIMUM EMBEDMENT AND EDGE DISTANCE EXCLUDE WALL FINISHES, INCLUDING BUT NOT LIMITED TO STUCCO, FOAM, BRICK VENEER, AND SIDING.
- INSTALLATION ANCHORS AND ASSOCIATED HARDWARE MUST BE MADE OF CORROSION RESISTANT MATERIAL OR HAVE A CORROSION RESISTANT COATING.
- FOR MASONRY OR CONCRETE OPENINGS, A 1X WOOD BUCK MAY BE USED (OPTIONAL) AS LONG AS THE MINIMUM EMBEDMENT AND EDGE DISTANCE REQUIREMENTS ARE STILL MET WITHIN THE CORRESPONDING HOST SUBSTRATE. SEE GENERAL NOTE #3 ON SHEET 1 FOR MORE INFORMATION.
- FOR HOLLOW BLOCK AND GROUT FILLED BLOCK, DO NOT INSTALL INSTALLATION ANCHORS INTO MORTAR JOINTS. EDGE DISTANCE IS MEASURED FROM FREE EDGE OF BLOCK OR EDGE OF MORTAR JOINT INTO FACE SHELL OF BLOCK.
- INSTALLATION ANCHORS SHALL BE INSTALLED IN ACCORDANCE WITH ANCHOR MANUFACTURER'S INSTALLATION INSTRUCTIONS, AND ANCHORS SHALL NOT BE USED IN SUBSTRATES WITH STRENGTHS LESS THAN THE MINIMUM STRENGTH SPECIFIED BY THE ANCHOR MANUFACTURER.

ANCHOR SCHEDULE					
METHOD	SUBSTRATE	ANCHOR SCHEDULE	MIN EMBEDMENT	MIN. EDGE DISTANCE	SPACING
NAIL-FIN	WOOD: MIN. SG = 0.55	#8 WOOD SCREW	1.50"	0.75"	SEE SHEET 3
	METAL: 18 GAUGE STEEL, MIN. Fy = 33KSI ALUMINUM: 1/8" MIN., 6063-T5	#8 SELF-DRILLING SCREW	3 THREADS MIN PENETRATION BEYOND STRUCTURE	0.50"	
	CONCRETE: f <sub>c</sub> =3000PSI	3/16" ITW TAPCON	1.25"	2.00"	
	MASONRY: CMU per ASTM C90 MIN. 2000 PSI	3/16" ITW TAPCON	1.00"	2.00"	
STRAP OR THROUGH FRAME	WOOD: MIN. SG = 0.55	#10 WOOD SCREW	1.50"	0.75"	SEE SHEET 3
	METAL: 18 GAUGE STEEL, MIN. Fy = 33KSI ALUMINUM: 1/8" MIN., 6063-T5	#10 SELF-DRILLING SCREW	3 THREADS MIN PENETRATION BEYOND STRUCTURE	0.50"	
	CONCRETE: f <sub>c</sub> =3000PSI	3/16" ITW TAPCON	1.25"	2.00"	
	MASONRY: CMU per ASTM C90 MIN. 2000 PSI	3/16" ITW TAPCON	1.00"	2.00"	



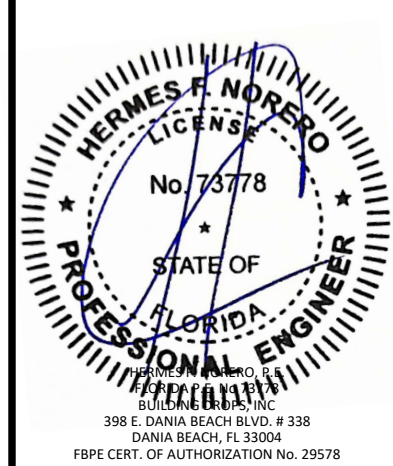
LEBORSKA 31, 77-100  
BYTOW, POLAND  
PH: +48-59-822-9101 FX: +48-59-822-9103

TITLE: IGL0 5 CLASSIC BALCONY DOOR (HVHZ) (IMPACT) ANCHOR DETAIL AND INSTALLATION NOTES

PREPARED BY: BUILDING DROPS, INC.  
1900 NE MIAMI COURT, STE. 2-15  
MIAMI, FL 33132  
PH: (954)399-8478  
FAX: (954)744-4738  
WEB: www.buildingdrops.com

REMARKS	BY	DATE
FBC CODE REVISION	FB	10/23

THE INSTALLATION DETAILS DESCRIBED HEREIN ARE GENERIC AND MAY NOT REFLECT ACTUAL CONDITIONS FOR A SPECIFIC SITE. IF SITE CONDITIONS CAUSE INSTALLATION TO DEVIATE FROM THE REQUIREMENTS DETAILED HEREIN, A LICENSED ENGINEER OR ARCHITECT SHALL PREPARE SITE SPECIFIC DOCUMENTS FOR USE WITH THIS DOCUMENT.



FL #: **FL41838**

DATE: **12.12.2022**

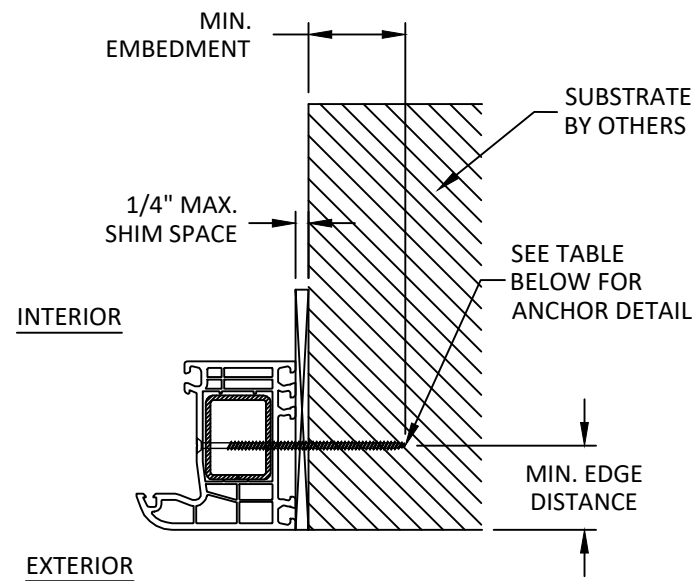
DWG. BY: **SH** CHK. BY: **HFN**

SCALE: **NTS**

DWG. #: **DRU012**

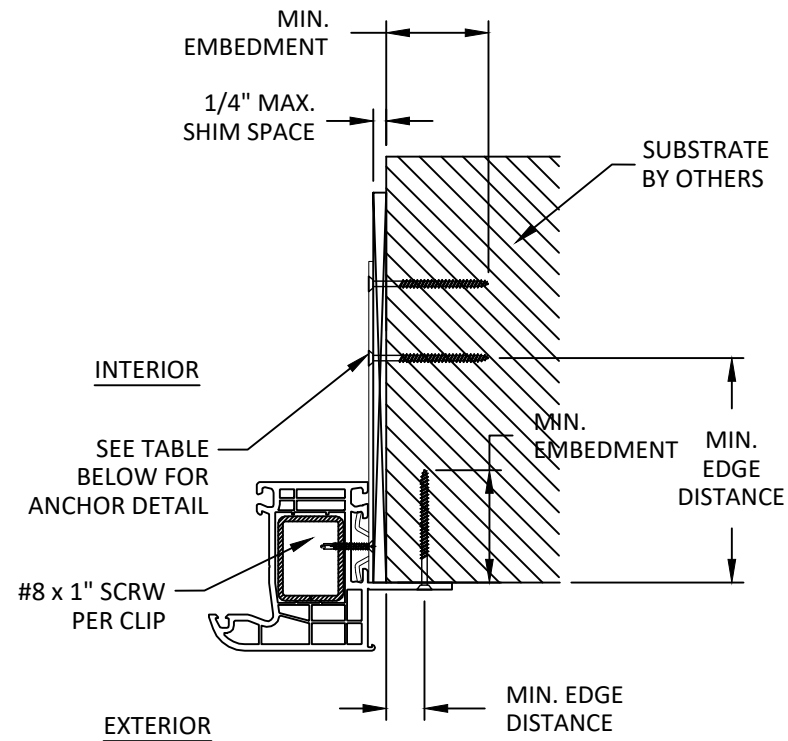
SHEET: **7** OF 9

10/17/2023 2:02 PM  
z:\projects\drutex, s.a\cc-23-0959 - fbc submittal - 2023 code change\dwgs\141838 - balcony door\dmu012 - fbc2023.dwg



**C**  
**8** HORIZONTAL SECTION  
JAMB - THROUGH FRAME

NOTE: HEAD & SILL SIMILAR



**D**  
**8** HORIZONTAL SECTION  
JAMB - NAIL-FIN & STRAP



LEBORSKA 31, 77-100  
BYTOW, POLAND  
PH: +48-59-822-9101 FX: +48-59-822-9103

TITLE:  
IGLO 5 CLASSIC  
BALCONY DOOR  
(HVHZ) (IMPACT)

ANCHOR DETAIL  
CONTINUED

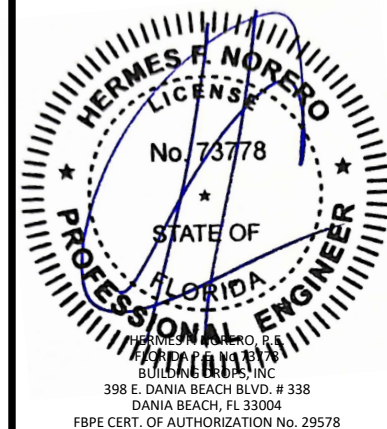
PREPARED BY:  
BUILDING DROPS, INC.  
1900 NE MIAMI COURT, STE. 2-15  
MIAMI, FL 33132

PH: (954)399-8478  
FAX: (954)744-4738  
WEB: www.buildingdrops.com



REMARKS	BY	DATE
FBC CODE REVISION	FB	10/23

THE INSTALLATION DETAILS DESCRIBED HEREIN ARE GENERIC AND MAY NOT REFLECT ACTUAL CONDITIONS FOR A SPECIFIC SITE. IF SITE CONDITIONS CAUSE INSTALLATION TO DEVIATE FROM THE REQUIREMENTS DETAILED HEREIN, A LICENSED ENGINEER OR ARCHITECT SHALL PREPARE SITE SPECIFIC DOCUMENTS FOR USE WITH THIS DOCUMENT.



FL #: **FL41838**

DATE: **12.12.2022**

DWG. BY: **SH**      CHK. BY: **HFN**

SCALE: **NTS**

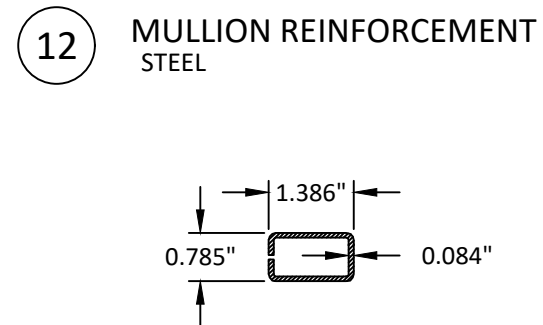
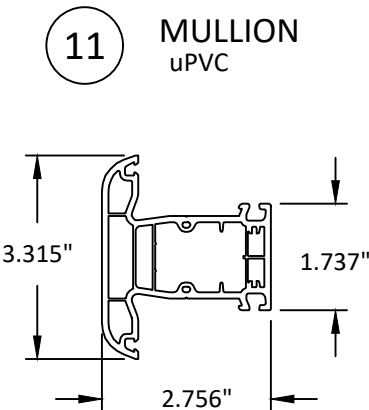
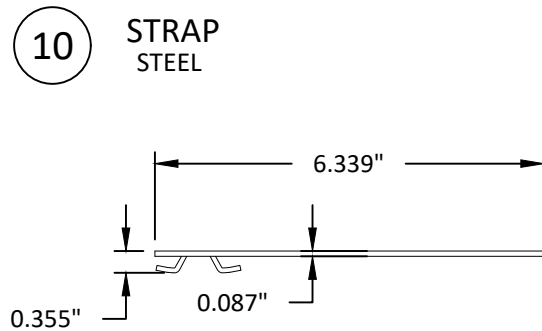
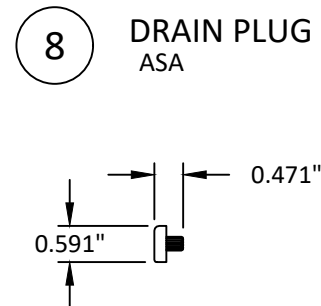
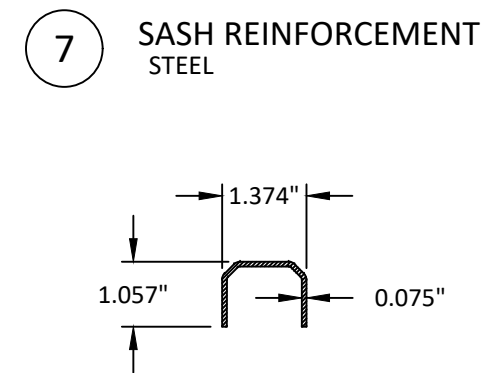
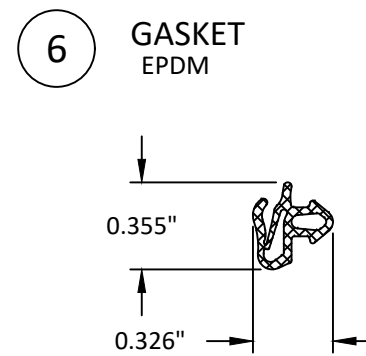
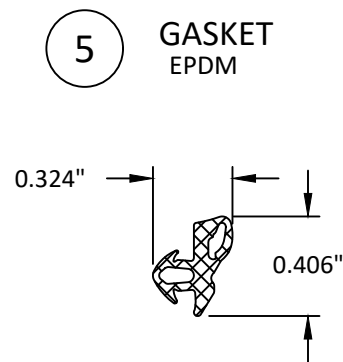
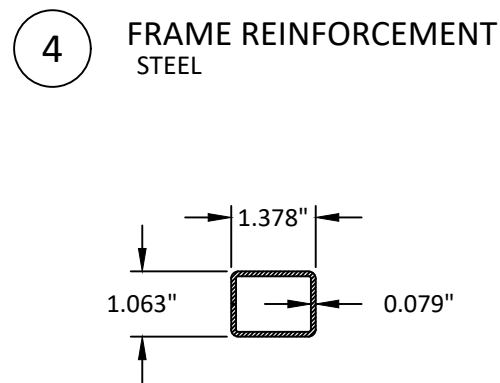
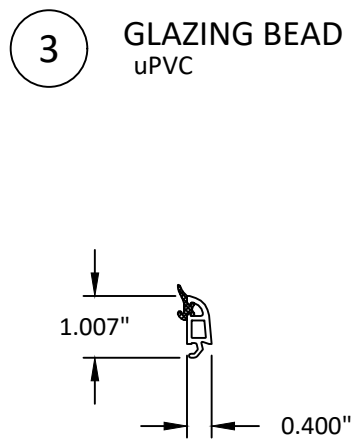
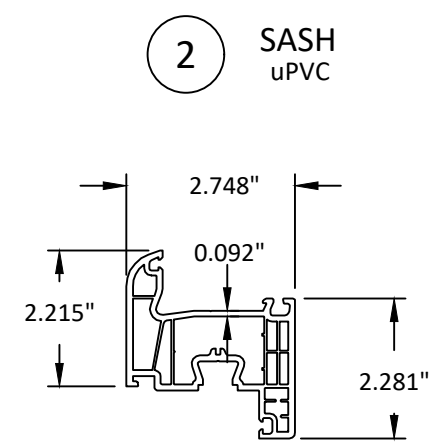
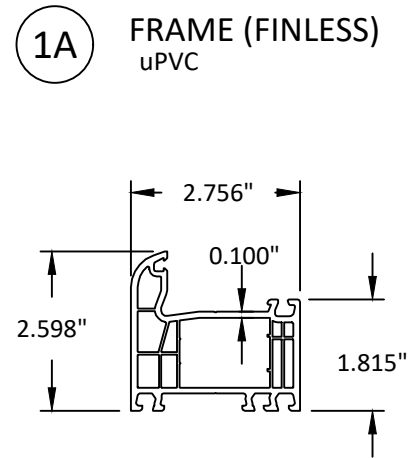
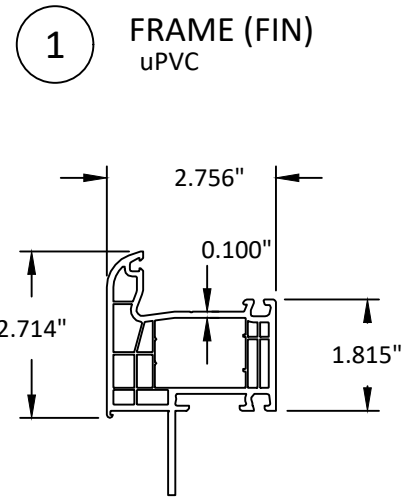
DWG. #: **DRU012**

SHEET:  
**8**  
OF 9



10/17/2023 2:02 PM  
z:\projects\drutex, s.a\cc-23-0959 - fbc submittal - 2023 code change\dwgs\141838 - balcony door\dr012 - fbc2023.dwg

BILL OF MATERIALS			
ITEM	PART NO.	DESCRIPTION	MATERIAL
1	50009	FRAME (FIN)	uPVC
1A	50001	FRAME (FINLESS)	uPVC
2	50013	SASH	uPVC
3	50936	GLAZING BEAD	uPVC
4	250030	FRAME REINFORCEMENT	STEEL
5	U-001	GASKET	EPDM
6	U-002	GASKET	EPDM
7	250024	SASH REINFORCEMENT	STEEL
8	150700	DRAIN PLUG	ASA
9	-	MACO HARDWARE	GALVANIZED STEEL
10	-	STRAP	STEEL
11	50021	MULLION	uPVC
12	250101	MULLION REINFORCEMENT	STEEL



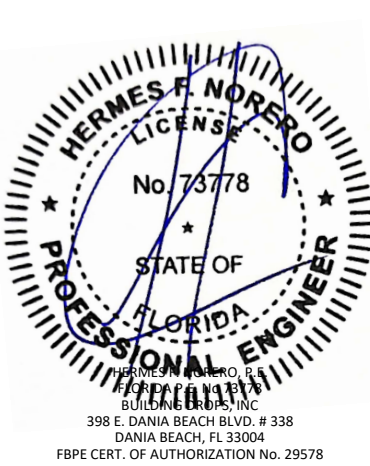
LEBORSKA 31, 77-100  
BYTOW, POLAND  
PH: +48-59-822-9101 FX: +48-59-822-9103

TITLE: IGL0 5 CLASSIC  
BALCONY DOOR  
(HVHZ) (IMPACT)  
BILL OF MATERIALS  
& COMPONENTS

PREPARED BY: BUILDING DROPS, INC.  
1900 NE MIAMI COURT, STE. 2-15  
MIAMI, FL 33132  
PH: (954)399-8478  
FAX: (954)744-4738  
WEB: www.buildingdrops.com

REMARKS	BY	DATE
FBC CODE REVISION	FB	10/23

THE INSTALLATION DETAILS DESCRIBED HEREIN ARE GENERIC AND MAY NOT REFLECT ACTUAL CONDITIONS FOR A SPECIFIC SITE. IF SITE CONDITIONS CAUSE INSTALLATION TO DEVIATE FROM THE REQUIREMENTS DETAILED HEREIN, A LICENSED ENGINEER OR ARCHITECT SHALL PREPARE SITE SPECIFIC DOCUMENTS FOR USE WITH THIS DOCUMENT.



FL #: **FL41838**

DATE: **12.12.2022**

DWG. BY: **SH**      CHK. BY: **HFN**

SCALE: **NTS**

DWG. #: **DRU012**

SHEET: **9**  
OF 9